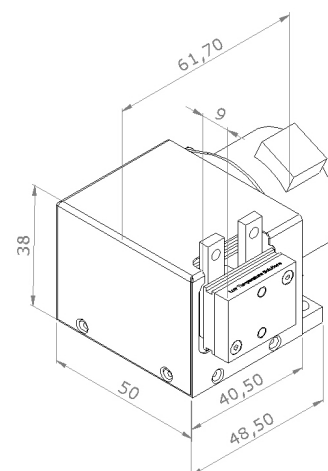
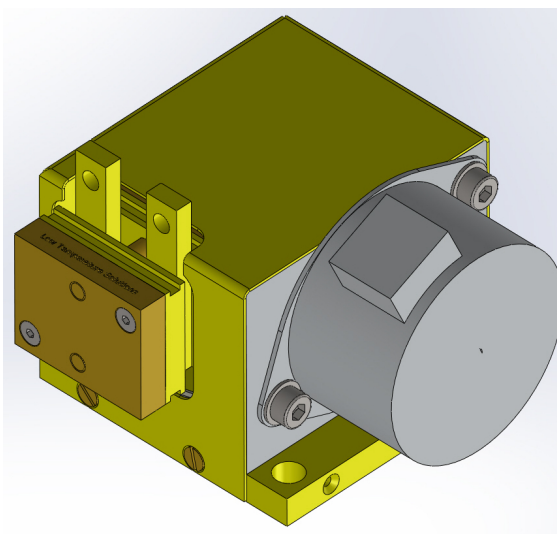
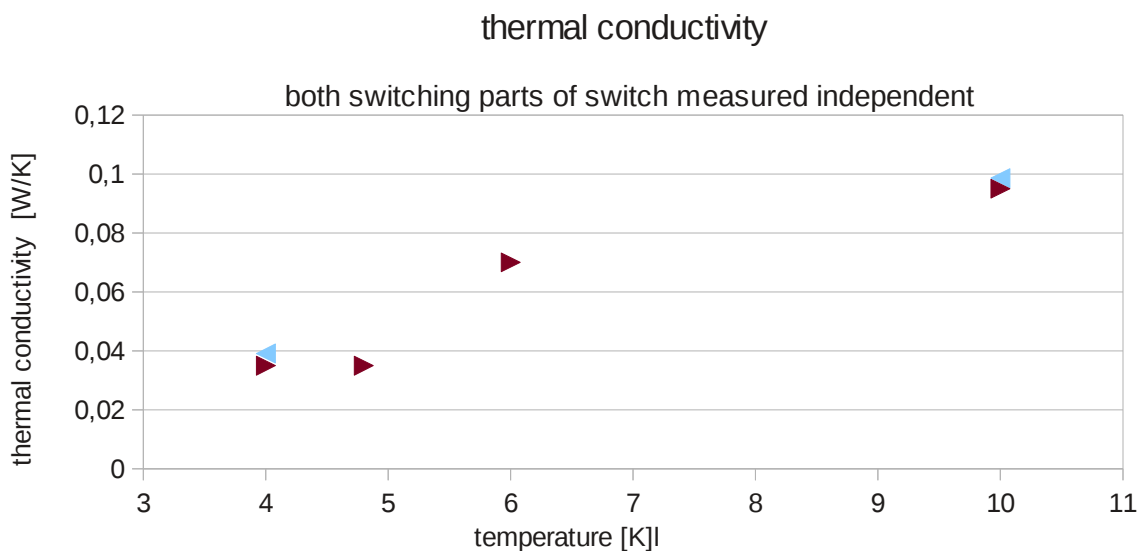


MS 40x2-4 a high thermal conductivity mechanical heat switch

The MS 60-4, a compact motor (on the cold stage) driven mechanical switch is developed to connect or disconnect any load that should be either thermally isolated or thermally coupled to a heat bath eg the salt pills of an ADR – stage. In the closed state it has a thermal conductivity of two times 40mW/K @ 4K and 100mW/K @ 10K (measured with a prototype. In the open state the heat load is less then 1μW/K. In case of a rigid mechanical coupling to the switched mass the heat load in the open stage is 0.



Bore pattern for attachment 40 x 40
can be customized